

# HOW TO BUILD A ZPE RESEARCH LAB AT YOUR HOME

Version 1.27, 2004/07

Electronics and tools you are going to need .....	1
Tools for the 'industrial automation', pulse tests, Easer, pulse motors, etc .....	2
Building inverter.....	2
Things to 'scavenge' or buy.....	5
Projects .....	5
Project: RV principle .....	5
Project: Radiant Energy (RE) proof in RLC .....	6
Project: EASER (charge pump).....	8
Project: MEG, MEMA, easyMEG (Easer principle) .....	11
Project: RV, resonance, OU and LOOPING.....	12
Project: COLD fusion, sonofusion.....	14
Project: Ecklin-Brown generator .....	14
Theory (consolidated knowledge, invaluable) .....	16

After the several trials and errors I have come to the conclusion to give here some suggestions how to be more efficient researcher at home. To do anything you need proper tools and knowledge. This document is about to give as much as possible step-by-step.

The knowledge originates from Hector (ARK Research). All he has taught so far has turned practical. There are many replications all over the world already and after making this document public we hope to see much more.

The secret of the Over-Unity (OU) is here, it is very hard work to find one in the internet. This document contains the knowledge not written in the scientific books. Replicate, learn by doing, prove the postulates, and learn the basics of transformations as the OU is the transformation. It manifests in a resonance and amplifies known as stochastic-resonance phenomenon. It is just the beginning.

In order to massively replicate Hector's Rotoverter (RV), RV Alternator, Transverter (TV), Easer principle solid state pulsing systems, you'll need good electronics or better yet - a computer controlled system. First of all I started by building frequency generators and other kind of electronics, but then realized that things can be done computer controlled. The central part is a computer interface, so all the other parts like inverters, switchers, relays, SCRs can connect directly to that interface. Linux op-system is fairly stable and cycle exact, so it can be used to generate and measure signals in microseconds scale. You can drive inverters at variable pulse-length, run motors (RV) at different speeds (RPMs).

**To be successful in the research area**, one must "think big" and be open minded. The more tools the better, invest into tools. Learn basics about resonance and electronics. Some tools you can *scavenge*, some you should buy, some you should do yourself. If you do not know ask others. Everyone near, is ready to help if you give them a positive vision!

## ***Electronics and tools you are going to need***

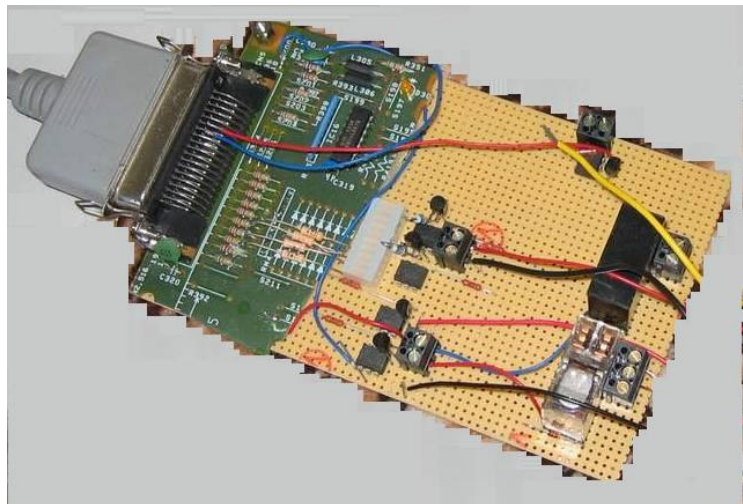
- Build a **capacitor bank** with switches (sample: 50,20,20,10,10,4.7,2,1,1,1,1 uF) – use only 450VAC rated oil capacitors and big wires. Used for changing between different capacitances to iterate the peak resonance. Becomes handy everywhere in LC resonance tests.
- Build a **variable induction coil** (15A, 16 turns 3" PVC pipe, tuned with metal core inside, add another 150 turns version too). For fine-tuning the resonance into the standing wave region.
- **2 channel scope**. Invaluable tool to observe the voltage and amperage phase shift. BTW, you can build a two channel scope using simple HV protection circuit, tuning potentiometers (opto-isolated if possible) and using a computer (laptop) with audio input. There exists software for on-screen online analysis. Useful as gold!
- Frequency generator 10Hz..300Hz, 100Hz..3000Hz, 1kHz..30kHz, ..., preferably pulse width controlled, and 2 outputs for inverter driving

- High amp switching – power transistors, power Mosfets, or IGBT's and cooling ribs
- Some multi-meters and the AC ampere clamp-meter
- Electronic simulations: SIMetrix (very good). <http://www.catenalabs.com/Pages/download.html>
- PCB software: Circuit-Maker 2000, Eagle (if you're going to do something more complicated)

### ***Tools for the 'industrial automation', pulse tests, Easer, pulse motors, etc***

A computer controlled parallel port interface (PPI) will make your life a hell lot of easier. I took the risk and it deserved a lot. Computer can generate frequencies, pulses, even voltages and control all the timings. You can control motor (RV) speeds, run Bedini/pulse motors, tune resonance conditions, control complicated switching sequence. This is a tested setup and recommended. **Note** that in the future, when we are experienced in transformation, we do not need computers, nor electro-sensitive components, because they are not secure. But for the first replication and proof of the concepts we must use ALL possibilities in order to accelerate the development!

- Pentium 333 minimum, Linux (Debian preferred), 'industrial' software in C++ available and tested
  - a simple parallel/port interface, optically insulated circuit (easy), fast optos is a must (PC847), min 4 outputs 100mA, 2 relays, 2 inputs, external supply 12..17VDC. Usually ready-made-kits are not so practical at all. PCB drawings available! To tell you the secret, it makes the life much easier and work more fun.

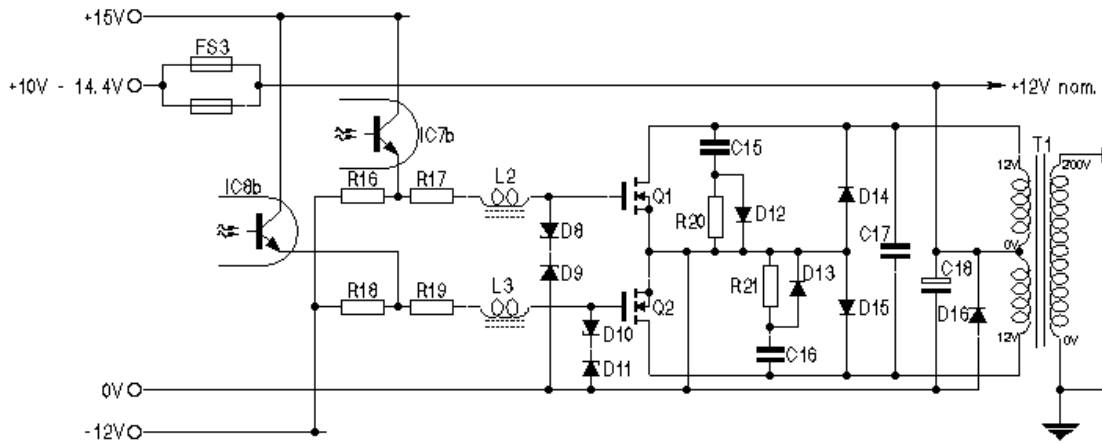


- ... or even more advanced PPI, with ADC inputs or voltage to frequency (V2F) inputs, and even V2F outputs. Inputs are first calibrated used as a computer voltmeter, to be used for input and output charge comparisons in Easer tests, for example.

### ***Building inverter***

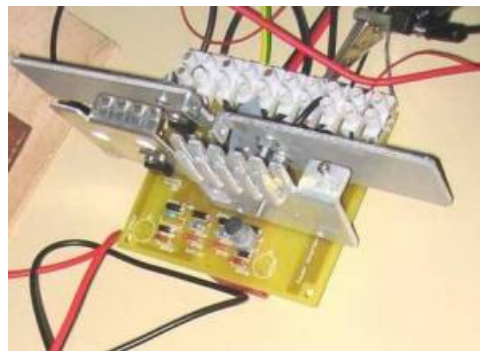
#### **Computer or frequency controlled inverter**

A basic inverter circuit using power Mosfets and a protection circuit (connects to PPI or frequency generator). Using power Mosfets it is a very practical circuit and can stand quite strong amperage. It is strongly recommended to use very thick wires and lines for the 12V side.



**Figure 1 Inverter circuit.** Source: <http://www.theverylastpageoftheinternet.com/forsale/plans/inverter/inverter.htm>

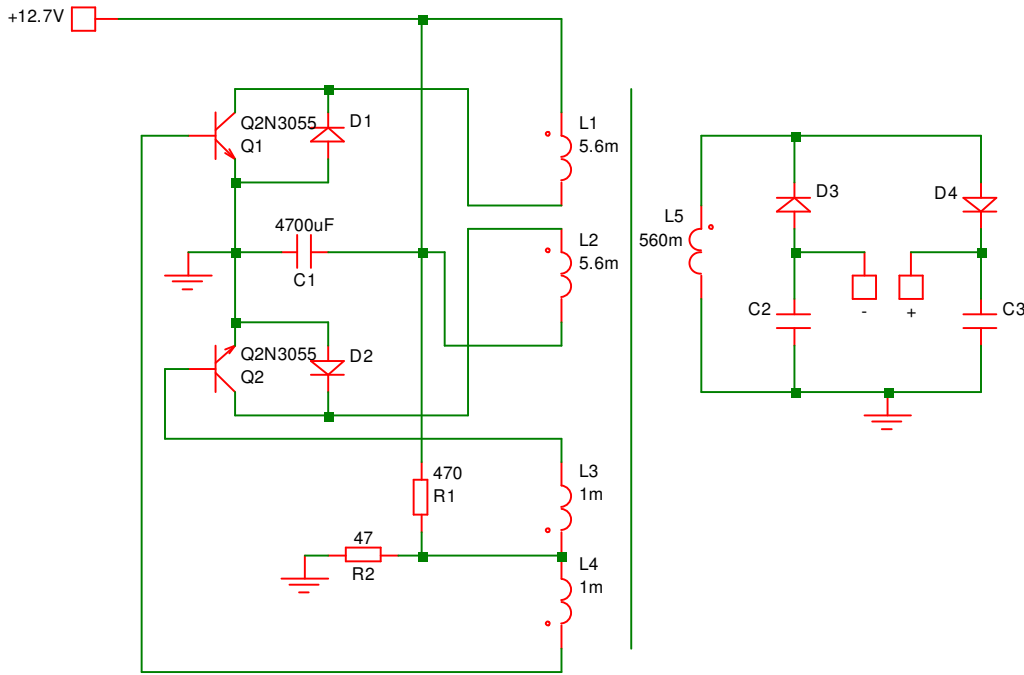
R17, R19 22 ohm  
 R16, R18 1.8k  
 R20,R21 100 ohm 1W  
 Q1,Q2 IRF3205  
 C15,C16 2.2uF 63V metallic polyester film  
 C17 (30uF oil) – better not use!  
 C18 3000uF, D16 (5amp diode)  
 D8..D11 zeners 15V  
 D12,D13 1N4007; D14,D15 1N4007 (double)  
 It is recommended to use separate or external power supply for driving power FETs, to ensure the gates get enough voltage, the transition speeds are faster and they will not get hot.



Use 300..1000W trafo for inverter, input 2x12V (with center tap) and output 1x120V (if you plan to wire yourself try following ration #27 turns for 12V and #270 turns for 120V – quite practical)

**Positive Bias Inverter**

This is the inverter recommended by ARK Research. It takes few current on idle, also it is a great tool for OU tests.



**Required:** Any trafo 100-1000VA, (primary 27, 27, secondary 270, feedback 12, 12 turns)

**Additional design notes:** You may add BD139 NPN transistors before 2N3055 power transistors for better performance.

**Working principle:**

As the transistor switches off, reflected collapsing EMF potential is redirected back to the battery across the diode. If core is working in RADIANT states, the recovered power will exceed the input and the system will recharge battery. The trafo's core's temperature will drop below ambient temperature (known as Easer effect). The battery becomes a variable within this effect system being OU within a specific set of parameters as battery charges the system detunes.

In the circuit there is shown the diode plug system to extract the power, but this is optional. There are some principles to test without even the secondary connected.

Some ideas to test:

- Always see the draw from the battery, using the ampermeter in series or a shunt.
- You may test it by holding magnet in hand while LC or the secondary disconnected. Usually without the secondary the circuit draws fewer amps, but it will resonate in the specific core frequency. The Radiant power vibrations can be felt with magnets holding these in hand near trafo.
- LC & RLC circuit on secondary, finding resonance capacitors
- Solid state battery charger: Finding the proper magneto-atomic resonance/saturation level, the system will turn Easer. There may be several harmonic frequencies, which are OU, of course choose the best. You can collect the power from the secondary by using a diode plug (so without detuning the system), switching the capacitor charge into the load, during the cycle the other is charging. It is possible using the Opto-SCR circuit.
- Solid state battery charger with a load: it is possible to turn this circuit a battery charger, finding the core's inner resonance point where the trafo will ring (Easer), using a small load in the secondary. You

can tune the circuit by changing load or changing biasing resistor's, while trying to find the condition when the current from the battery reverses.

Some tuning considerations: change capacitors in LC circuit, rebuild the system to be external frequency and pulse width controlled, use variable coil in series to LC resonance.

### Things to 'scavenge' or buy

Trafos, 3PH trafos, neon sign transformers (NSTs, 10kV+), squirrel cage motors, permanent magnet (PM) motors, autotrafo (min 10A rated), magnets, old magnetrons (or magnets), oil capacitors, power Mosfets, cool ribs, solid state relays, current relays, shunts, analog voltmeters, big wires, a lot of "alligator" wires...

### Projects

Choose an appropriate project you like.

#### Project: RV principle

Rotoverter is a great learning tool. You will learn phases, phasing, vectoring, input optimization to the load, rotary three phase transformation, resonance. Testing in "vitro" gives you an experience worth 100+ pages.

**Required:** a squirrel cage motor (over 2HP preferably to be more efficient, fan removed), capacitors for optimization. Optionally – autotrafo, capacitor bank, scope. The lesson here is to show that big motors can be run very efficiently on idle and the power draw can be optimized for different drag/load.

**RV principle:** You can run one squirrel cage motor alone using following circuit. C1 is a start capacitor and C2 is for run. Run capacitor is optimized for the specific load (see amperes circulation, minimize). Motor must be wired 4x higher nominal rating than the input voltage. This simple circuit could be revolutionary; it would be possible to use photovoltaic (solar) cells to run RV motors, boats, grinders, bicycles, solar co-generation. These systems use only very few energy during idle (10 times less than using 3PH nominal voltage). It would be possible to charge the battery through solar cell at the same time running.

Even in the prime mover, there is taking place a transformation during resonance and increases the efficiency. Normal squirrel cage motors cannot exceed the 95% efficiency as they have losses in core. But using permanent magnet (PM) cores the system can be OU even in prime mover side.

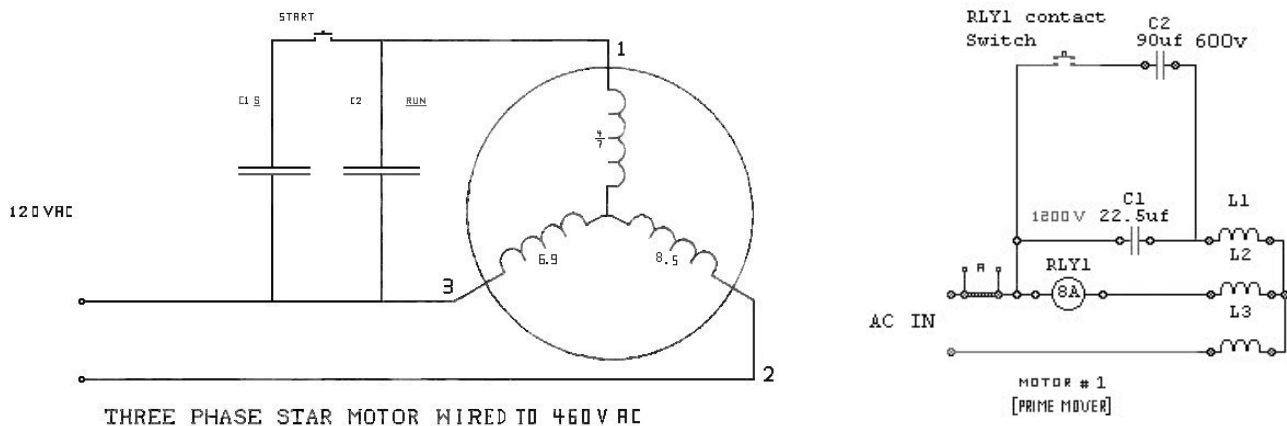


Figure 2 Prime mover, starting manually or using a current relay, source: ARK

In the next setup there are two motors connected – Rotoverter RV:



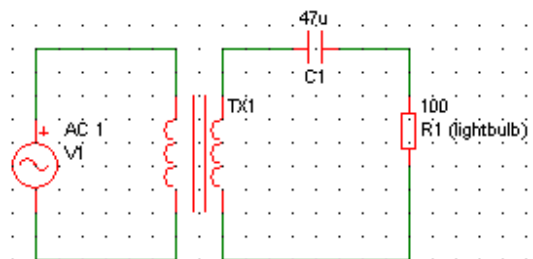
**Figure 3 RV setup, source: ARK**

Input 119.8V 0.8A in prime mover, and LC circulation 203V and 5.1A (using the tripleflux capacitor at alternator's side). It is 95.84W input, over 1700W virtual circulating power in LC. The most interesting transformation takes place in the alternator side. The normal science is blinded and cannot see that there is radiant flow in the LC. You can test it by holding magnet some inches above the motor casing and feel the vibrations. RE field can penetrate the motor metal casing, it has its own structure around the resonant motor, coil or trafo. It is possible to tap the energy (without reflecting back). One way is to tune the system to the exact standing wave and let the RE to gather towards the R node (in RLC setup). The R note must be amperage (and voltage) matched to the resonant pure LC amperage flow. Hard to tune! Another way is to use capacitor diode plug systems to collect the capacitor charge during blank intervals. Or using step-down trafos for looping. Several options.

### **Project: Radiant Energy (RE) proof in RLC**

A quote from Hector: "No scientist on Earth has ever imagined that the secret of ZPE can be written down using only three letters – RLC!"

A resonant system (RV alternator, or trafo), capacitor bank (C) for tuning resonance, 2 channel scope, variable coil (L) for fine-tuning the amperage node to the light bulb (R), where a capacitor will be on voltage node. It is the radiant energy that flows in a resonance in a RLC. In order to tap it into the R you need exact amperage node (standing wave) to be created at R. This is part of tuning and after you succeed with it your all the research will be very addictive for ever.



**Required:** A trafo (off the shelf or custom wired, microwaves trafo, neon sign transformer (NST) for Tesla coil experiments, or the ferro-resonant trafo (the best), etc), capacitor bank, or frequency controlled inverter, 2 channel scope, fine-tuning variable coil (in series, not shown in circuit).

**Principle:** Radiant Energy (RE) is present at the resonance. Finding the voltage resonance point in LC and then amperage matching the proper R in series to LC, we may stumble to anomaly where the Radiant Energy is radiated through the bulb. Note that, sometimes it is important to drive trafo into its saturation limits.

**Procedure:** Input primary 220V or what you have. You may use (variable frequency) inverter. Use LC in secondary and find voltage resonance on C, by optimizing C values (maximizing voltage). Measure amperage and voltage at resonance point. Add light bulb, which matches the resonance amperage and voltage (resonance voltage may exceed bulb's voltage little bit). As Hector says: find the resonance point, add a light bulb(s) to match the amperage, increase capacitance little bit to compensate the drift. By tuning the circuit with capacitance, variable L, and R, we must create a standing wave, where the amperage node appears on R. This is the procedure to make the RE appear on amperage node (voltage is zero and amperage max). So we would see the anomaly where the voltage drop on bulb is 10% of the nominal bulb's voltage, but the amperage flow is nominal and real. It is like manipulating the ether to flow and collecting it to the R node (the lense-effect as in optics). It is how E. Gray managed to light the light bulb under water – cold electricity, where amperage is real and voltage minimal.

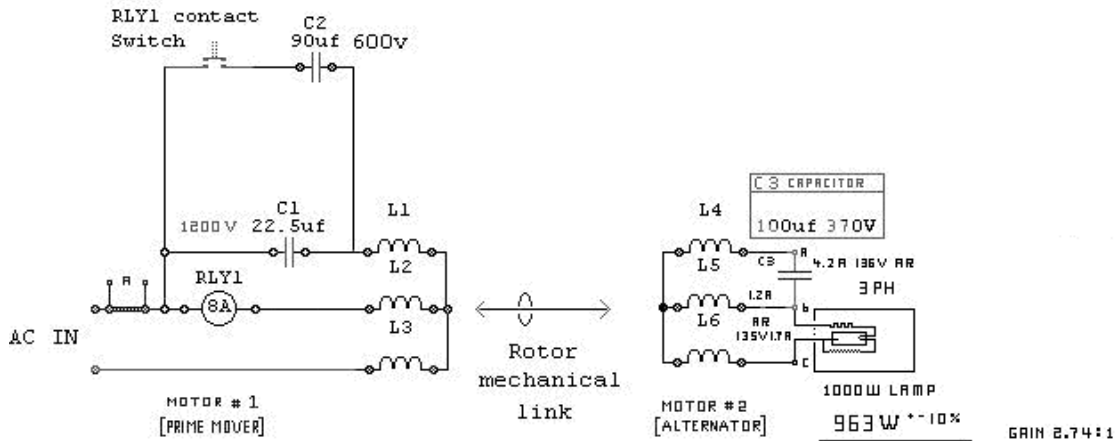
Another way it to use Rotoverter – prime mover and resonance tuned alternator (RLC). It is easier to tune the resonance when the motors are run at 60 Hz AC than 50 Hz.

You can test the Radiant flow present in your system by holding a magnet near your system. You'll feel the magnet's vibrating in hand. Or you'll notice a computer monitor to have scanline errors or flickering.



Starting current > 9.01  
 running voltage 116.7  
 running current 3.007712A  
 PT 3610 w

EXPERIMENT ON MAGNETIC ROTO AMPLIFICATION



L1,L2,L3 3PH 7.5 HP 3465  
 RPM  
 460 V MOTOR 184TCH

L4,L5,L6 SAME BUT WIRED  
 FOR 230 V

THERMAL & MECHANICAL LOSS WAS NOT CALCULATED

Figure 4 RV Experiment, 1kW lightbulb is lit at near its nominal luminic value. Gain 2.74:1, source: ARK

This is the Radiant Energy version of Tesla Coil. Some sources use the spark cap in a wrong place without understanding the real Radiant working principles, which was the actual meaning of Tesla.

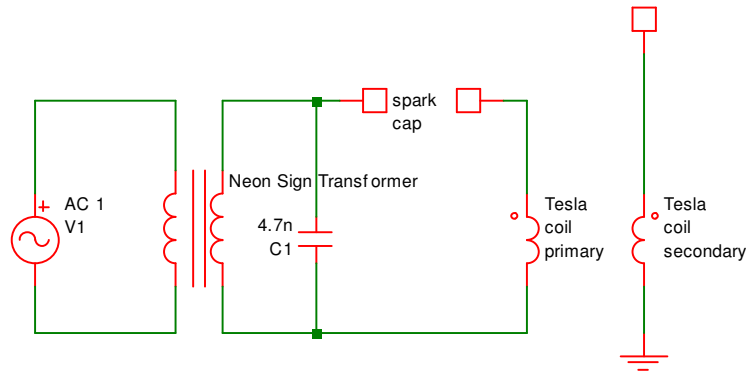
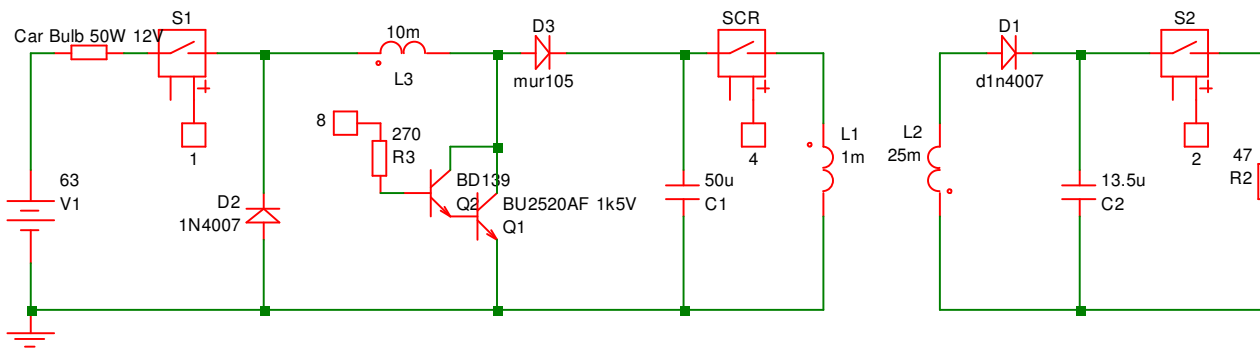


Figure 5 The Tesla Coil, notice the spark cap position

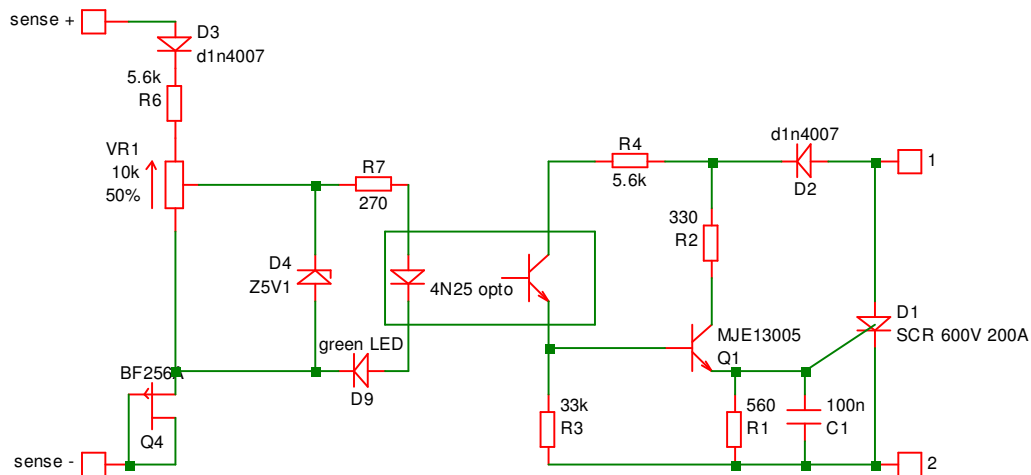
**Project: EASER (charge pump)**

**Required:** trafos (normal trafos, toroids, whatever), switching, computer controlled switching preferably, opto-coupled SCR switches. Idea here is to get more output in a resonant transform.



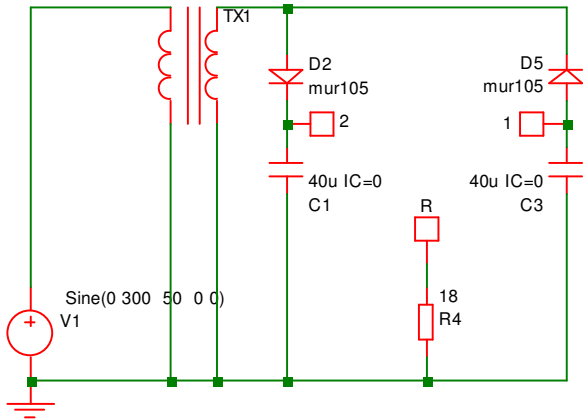


**Principle:** This circuit is just describing the **Easer principle**. **Easer means Electromagnetic Laser**, where the power is transferred from the space-time tensor from coil to capacitor. The coil will cool down. Every phase can be computer controlled. Capacitor C1 is filled with charge (by applying the frequency for certain time to the gate 8), then discharged through SCR into the trafo (gate 4). A magnetic collapse (see the coil direction) in trafo charges C2 (half resonant circuit). Alternatively, you can just pulse a trafo with some milliseconds with 12V, just enough to hit the (magneto-atomic) saturation point using different pulses. C2 size, pulse lengths, frequencies must be tuned in order to maximize gain. The optimal ratio for the trafo input to output wiring should be 1:5. It would be ideal to use primary winding turns as low as possible, using very big wires. There is a saturation break-point where the magic happens (note that sometimes not the magnetic saturation but magneto-atomic). The **most important** is to understand that the recovery must be shorter than input pulse length. Example: if you charge the trafo in 8ms, the LC and diode on the secondary should recover the charge in 5ms. It will cause the time differences. Pulse will charge the magnetic core and it determines the time compression in core's zero point fabric. The coil must cool down as it pumps extra voltage to C. In high Q resonant condition (magneto-atomic resonance) the power in C becomes OU as it raises to resonance Q point.



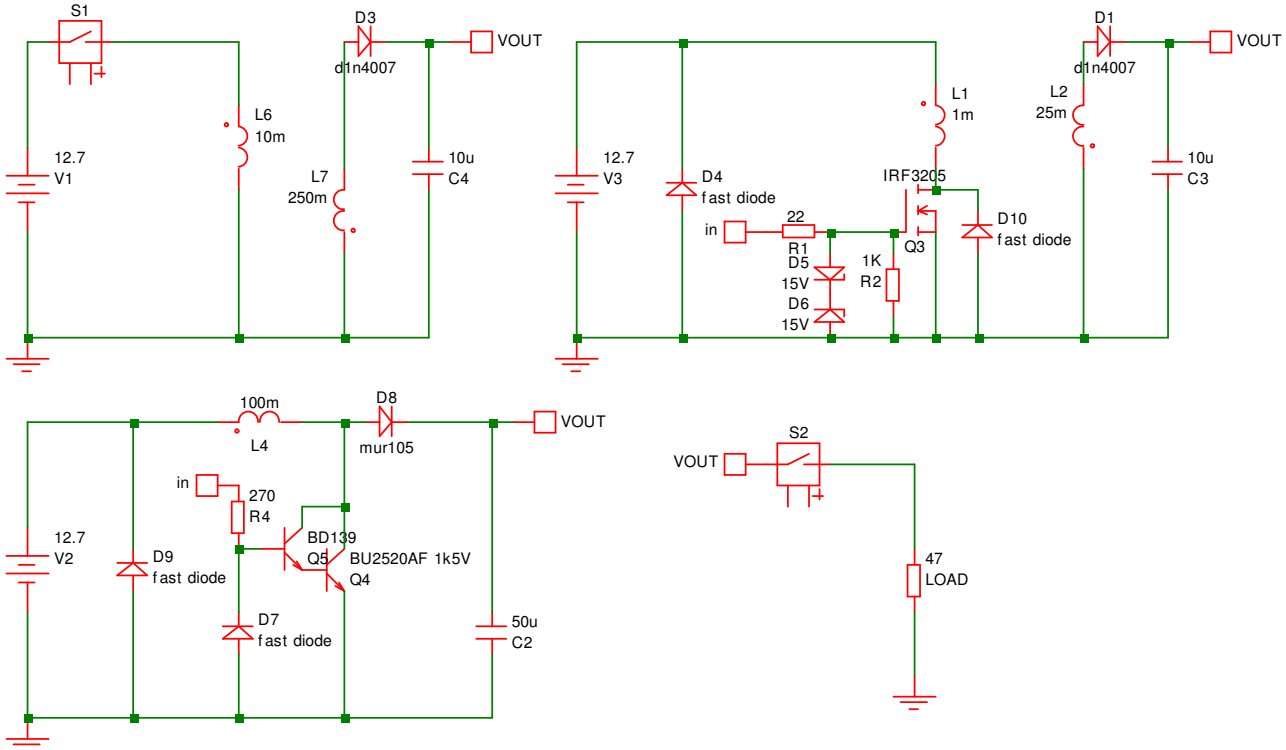
**Figure 6 Opto-SCR module circuit. It is made to meet the HV requirements, component values must be tested in vitro!**

Opto circuit's working principle: the "sense" side is tuned to specific trigger voltage. You can adjust the voltage looking at LEDs brightness. On trigger the SCR is opened. It is used for capacitor discharging into the coil during the other capacitor is charging in recovery circuits. The advantage of the SCR is that it turns off automatically when the current is near zero (that is when capacitor is empty). Choose less sensitive and high amperage SCRs, modify circuit's resistors accordingly. BF256A is an optional component (not tested), limiting the current. These modules are very needed for several projects in the future, for discharging capacitors without reflecting to source.



**Figure 7 Diode Plug circuit. Idea here is to discharge C-s during other is charging (non-reflecting to source)**

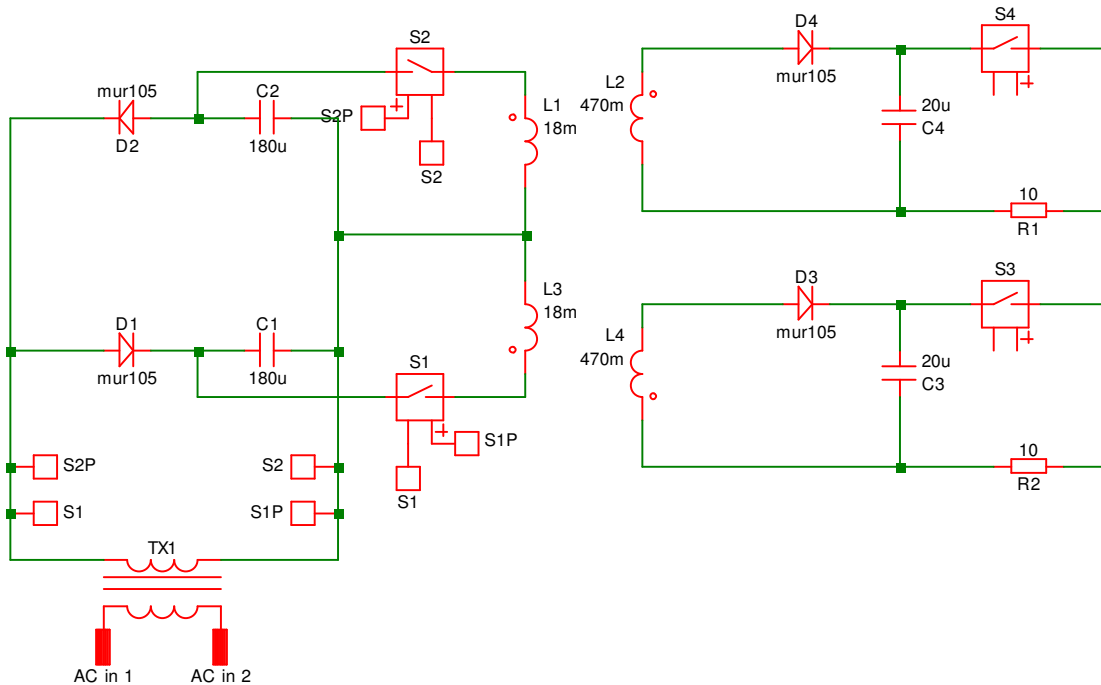
Diode plug circuit is must, when you want to get Radiant energy out of the system without reflecting to source (i.e. changing the overall circuit parameters). Discharging can be done optically (Opto-SCR circuit) or mechanically (roller commutators). As one capacitor charges, another is discharged. Each C value is chosen for best LC resonance match, and then used in diode plug circuit. This is powerful combination (Diode plug + Opto-SCR) and is **essential** to put MEG, MEMA, BEDINI, etc systems to work!



**Figure 8 Various L-pumps (Easers), all are based on the collapsing EMF principle**

As you can see, the LOAD is also behind the switch and connected only at the right time. As if the load would be connected all the time it would change the overall resonance parameters. By disconnecting the load from the resonance, and switching it on at the right moment for discharging the capacitor, we maintain the resonance parameters.

A more advanced Transverter circuit:



**Figure 9** Transverter "Yin/Yang" circuit, using 4x optical discharge switches that will turn on at blank interval

During each cycle the capacitors are charged, and discharged at blank cycle to the trafo (2x), which amplifies the output. Note that the charge is collected by collapsing CEMF, not by the induction! Recommended amplification trafo is wired 1:5 for optimal output. Recommended practical capacitor ratio would be 2:1, but must be tuned. Note that switches on the circuits are SCR's, sometimes it is better to connect SCR between the coil and ground, not on top of the coil, to be more stable.

### Project: MEG, MEMA, easyMEG (Easer principle)

**Required:** 3PH trafo, preferably computer controlled or frequency controlled feedback circuit

**Principle:** magneto-resonance, Easer (lasing), energy gain is collected after the magnetic collapse as the core is excited to Easer state.

**Notes:** You should assume that the battery is a long cycle capacitor. If it charges, the system detunes. You may use a large capacitor bank instead of battery for Easer/Bedini like technologies.

MEMA – magnetless MEG, Magnetless Electro-Magnetic Amplifier.

You can build MEMA from a simple 3 phase trafo, applying DC for the centre.

The EasyMEG circuit will charge the capacitor if the resonance parameters are met.

# EasyMEG

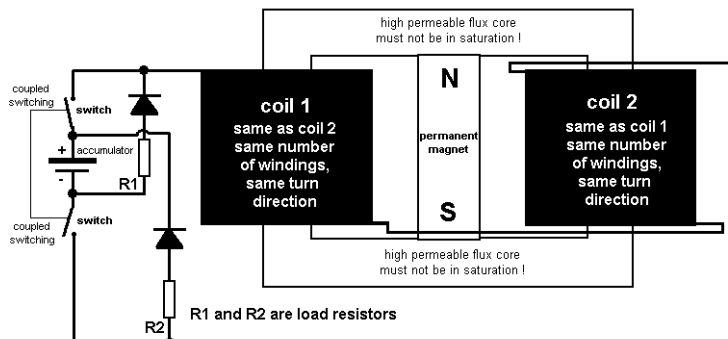
by Dipl. Ing. Stefan Hartmann harti@harti.com  
copyright 2002 by www.overunity.com  
released 28th of Sept. 2002

based on the too complicated  
MEG by Steven Sullivan  
(omnidyne@hotmail.com)  
free for noncommercial personal use  
all commercial use must acquire a license  
from the author. Use it at your own risk,  
I take no responsibility for wrong use !

Good Karma:  
The last shirt has no pockets !  
50 % of the license MUST be  
donated to charity !

## principle circuit diagram:

(corrected version with right coil connections)



### Working principle:

Both switches must be toggled fast ON and OFF.

This could also be done by electronic switching.

The flux from the permanent magnet is divided equally into each core leg, when the 2 switches are OFF.

When both switches are toggled ON, the magnetic fields from the coils pushes the permanent magnet flux from the left core leg into the right core leg, so all permanent magnet flux is flowing in the right core leg only.

Now when the switches are switched OFF the flux from the right core leg tries to balance again back to equilibrium state.

As the coils are now connected via the diodes and the 2 load resistors R1 and R2 in the right direction of the Back EMF Voltage, the equilibrium flux change drives huge energy back to the accumulator and recharges it.

Figure 10 EasyMEG, source: [www.overunity.com](http://www.overunity.com)

## Project: RV, resonance, OU and LOOPING

**Required:** RV setup (2 connected RVs), 3x equal simple trafos, inverter 12V to 120V 1000W, capacitor bank

**Principle:** see the circuit and comments

EXPERIMENT ON MAGNETIC ROTO AMPLIFICATION

Starting current > 9.0A  
 running voltage 120.0 V  
 running current 3.00A  
 PT 360.0 W

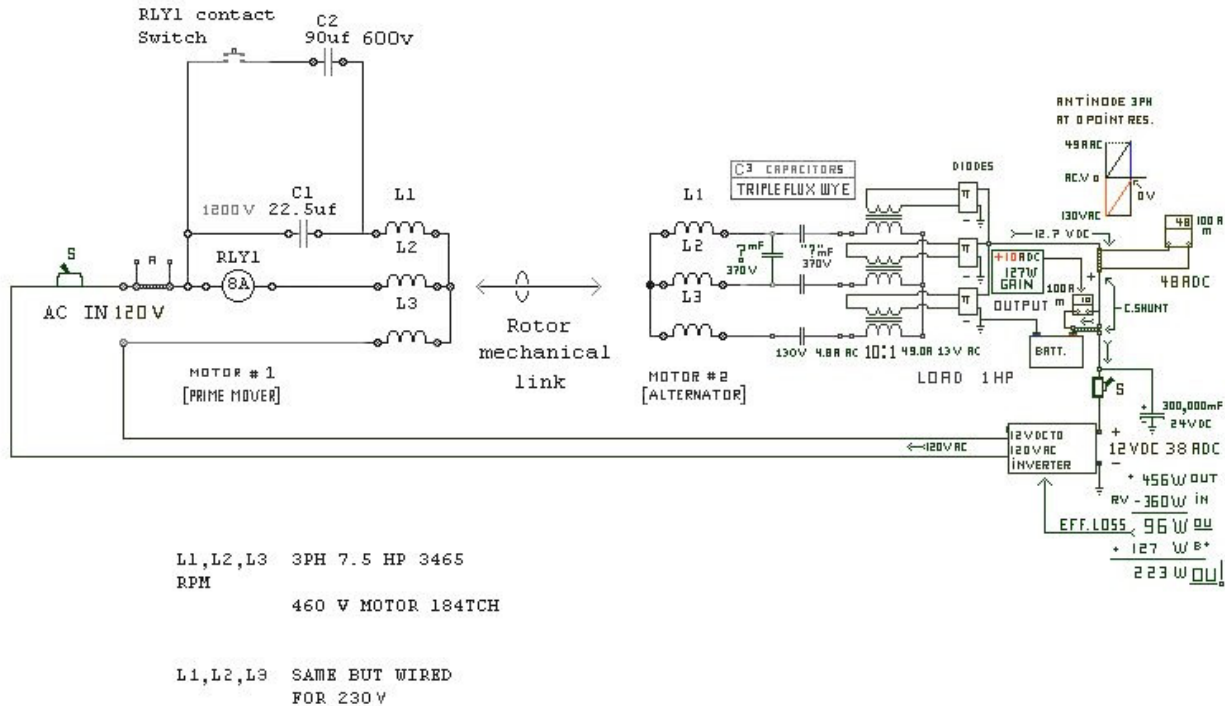


Figure 11 Looped Rotoverter, source: ARK, <http://www.theverylastpageoftheinternet.com/ElectromagneticDev/arkresearch/rotoverter.htm>

A 12V car battery initiates the system, it provides power to a 12VDC - 120VAC 1200W AC modified sine-wave inverter (efficiency 94%). This powers the ROTOVERTER (rotary-converter) main prime mover motor. A 7.5 HP 3PH 230/460VAC 3465 rpm US motor windings in WYE, wired at 460VAC shown as L1, L2, L3. Rotoverter Alternator is an identical motor, but wired for 230VAC, linked face to face with a motor shaft coupling to prime mover. In Alternator L1, L2, L3 are connected to 3 capacitors coupled to 3 transformers, an extra capacitor is placed in any A, B, C phase as to provide rotor squirrel cage with inductive rotating field.

A rotating magnetic field is created loaded by the battery resistance and the inverter load, the system is tuned to resonance providing a standing wave were the current node input to the battery exceeds the LOAD demand of the inverter recharging the system. The System Energy is maintained by the energy of the rotating squirrel cage in regressive reverse induction, requiring energy only to regain a percentage of the energy loss component from the resonant system acting as negative resistor.

In testing, battery changes resistance as recharging occurs this provokes system to detune from resonant to non-resonant modes drifting from OU to non-OU transform modes. Tendency is to dry out battery as this are not designed to work in cross current vectors variations.

Solutions: Use separated alternating battery banks and increase inverter input operation voltage (design it for 120VDC input) eliminating the transformers.

System gain comes from stochastic resonance and ZPE as the magnetic latching occurs within the core-wire LCR components of the motor and its capacitor driven rotary 3PH fields, in resonance, the time-energy decay is the only energy you require to replenish at to maintain it.

A resonant hi Q circuit tends to have a fixed decay, this being as rule of thumb .372 (37.2 %) per full wave oscillation.

A spiral is manifested as logarithmic gain of 1.618 within sine-wave gain curve occurs were Voltage "Electrons" are accelerated within virtual oscillatory wall (stochastic resonance).

Condensed original comments:

Battery provides primary power for 12VDC to 120VAC as to Run prime mover (Rotary-converter), second motor acts as an squirrel cage self-excited generator, a triple flux-capacitor LC tank tuned to best Standing wave condition as to create standing wave current node internally in battery at 0 voltage to battery "negative resistor" At 0 volts "voltage" a negative current is created as to maintain a reverse flow (charge) to battery exceeding the forward drain of the inverter demand, detuning system with a forward charge at 10 amperes with a voltage rise of approximately .83333 V over the battery voltage charge produces OU transform from the 0 point standing wave component. System gains energy from stochastic resonance within the LC tank components draining energy from "thermal" signature of the ZPE and K thermodynamic-thermoelectric ambient heat (electron spin). This is a full disclosure of an operational and tested device, system is made of standard off shelf items, tuning is made by changing capacitor values and the proper selection of standard items for its construction, 3PH motors, 10:1 12V or 5:1 24V transformers with the proper core and winding values (standard) off shelf, diode bridges capacitor (all standard). It requires extreme knowledge In RF systems and electromagnetic resonance engineering.

Warning!: Do not operate above 10KW, or over extended time periods.

### **Project: COLD fusion, sonofusion**

Resonance creates the SONOFUSION in the water. Use RV triple-flux output into the cold fusion cell.

Use sodium-aluminate solution, it is the catalyst for creating the magic. Normal scientists use expensive palladium, but aluminate will do just fine. That's the secret of it! Eugene Mallove knew it and was killed. Now you know it too! You can prepare sodium aluminate by mixing aluminium with lye (NaOH solution).

### **Project: Ecklin-Brown generator**

Ecklin-Brown generators are OU. These are meant to be run (and looped) using Rotoverter as prime mover. There are two main designs possible with- and without magnets. If you design it without magnets (with DC input) you can put the system to generate using a capacitor in DC input, which starts to generate at higher RPM (2000 RPM mentioned in original texts). It is even OU when using normal DC.

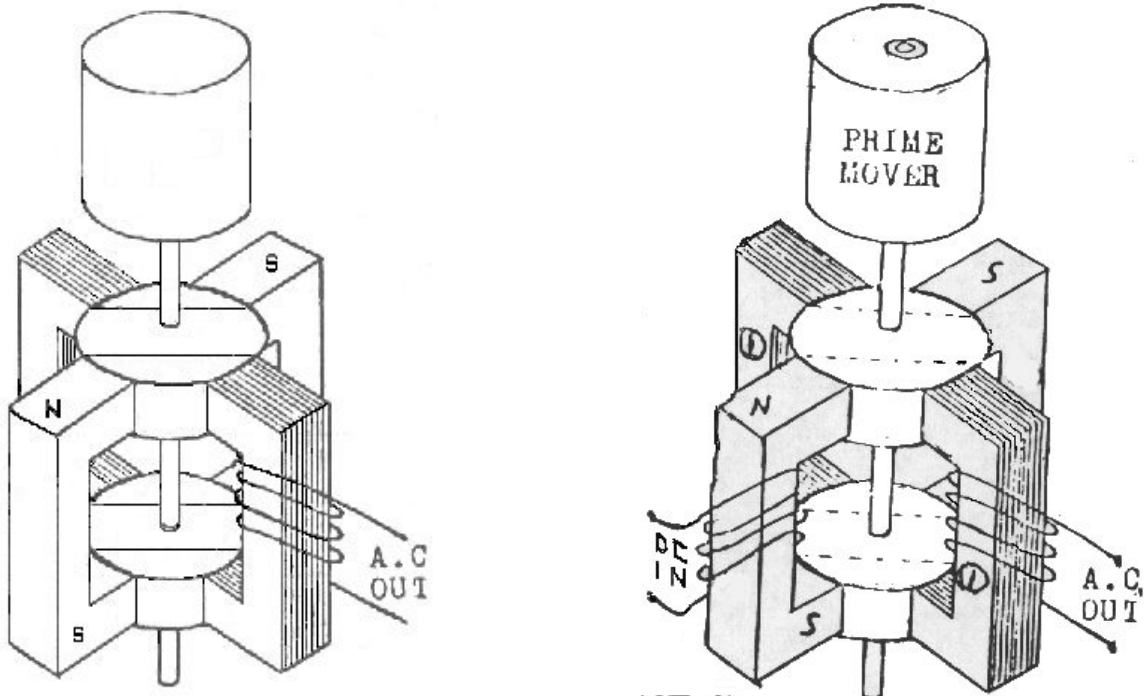


Figure 12 Ecklin-Brown generator realizations with magnets (left) and with DC input (right), source: <http://www.overunity-theory.de/ecklin/ecklin1.htm>

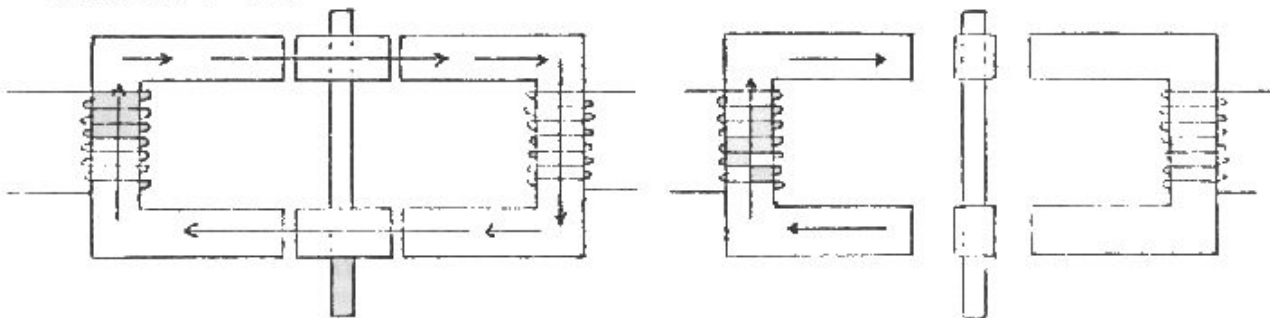


Figure 13 Ecklin Brown generator's working principle, source: <http://www.overunity-theory.de/ecklin/ecklin1.htm>

To understand the mode of operation, it is best to think of magnetism as a fluid (much the same as in electrical considerations), and iron is a conductor of magnetism. When the poles of the rotor till the cap, magnetism flows through a closed circuit as indicated by the arrows. This flow sets up a magnetic field around the output coil. Now the rotor turns 90°, the gap is opened and the flow of magnetism trough the output coil ceases. This causes the magnetic field to collapse in the output coil. It is the rising and falling field in the output coil that produces the EMF.

In actual design you may use four poles. The magnetic conductor is iron. As the last minute information about the rising the efficiency, one should consider using special design of the iron conductor to avoid the „shorts“, i.e. losses in the conductor. Taking account these considerations one can build much more efficient generator.



## ***Theory (consolidated knowledge, invaluable)***

### **RESONANCE IS THE KEY TO THE OVERUNITY**

Overunity (OU) is the transformation, RF (radio frequency) = RE (Radiant Energy) = OU.

Hector: "You can get OU from a kitchen sink if you make it resonant!" "Using a water hammering you can get the hydrosonic OU power."

At resonance standard power raise figure is 1.618, .618 of energy required to sustain ferro-resonance, in some cases .382. Capacitors can pass full current at 0 voltage.

At resonance R becomes L, L becomes C and C becomes R. Other "mutations" are possible. RF principles.

Unity brings over-unity, you must avoid greed, otherwise you lose the divine protection (your aura will be closed)!

### **The STOCHASTIC RESONANCE and amplification**

OU is not a perpetual motion as the main-stream scientist may think. It is a transformation. Learn the basics of the stochastic resonance phenomenon, how weak signals are amplified by applying the random noise.

"Stochastic Resonance" is a phenomenon in physics where a signal that is too faint to be detected can be amplified by the addition of random noise. It is generally applied in the field of radio and related studies.

The basics is as a signal passes by a medium is amplified, and that is what OU is all about. That is the secret of OU "transformation", taking energy from the Dirac sea of energy and transforming it to useful form, be it thermal electric or etherial.

All devices work under same basic formula  $H = I^2 R t$  were basic gain from magneto-atomic amplification is a predicted 1.618 within a logarithmic gain time-reversed spiral with consequential thermal-ambient noise reduction and transform to the electrical power region DC vectors within a capacitor diode plug recovery system.

Using 1:1 trafo: normally it rises to PP peak to peak value = x 1.14. (Comment: if you measure 1:1 trafo output in the secondary it should have already gained 14%).

But in semi-resonant condition the MAGNETIC collapse within coil-core-space components transfers potential from the media, thermal, aetheric to physical voltage realm. As a voltage charge in a capacitor ... (in comes from there) OU is transformation...nothing else – gain factor is as 1.618 X D (delta variable) a VARIABLE on CORE-AMBIENT ELECTRON DENSITY, - remanence, reluctance, hysteresis, polarization and other parameters that multiply the ability of a compound or element to switch and latch its magnetic orientation.

### **Rotoverter and the Radiant Energy**

As an alternator is taken to resonant states the RADIANT energy RF manifests a magnet vibrates 4 inches from the alternator totally enclosed IRON housing!

RV functions as reverse dynamometer can help you to find how much no load friction there is in the rotor as to find ways to lower such and increase power gain, same with the electrical parameters as RV works as a true transformer you can measure effects of design changes physical or electrical on your generator design, at the motor speed you choose be it 1,(725-800) or 3,(450-800) RPM.

Hector: as coil discharges M field is converted to E field as magnetic collapse occurs E field compresses in time so becomes a logarithmic gain as time recedes within NEGATIVE logarithmic path and voltage increases in positive electric potential ...Mechanical equivalent is transmission gears were if you increase speed and lower it the next gear will gain force here we do the same but gain force from ELECTRON spin gears within a coil core system. Like tripping a file of dominos.

### **COOLING EFFECT**

CORES will COOL down as predicted in GENESIS transform. Cooling effect takes place in Easer systems.

OU – unseen to the untrained mind as the 3rd vector phase is GENERATED a transform occurs from the 0 point energy component within near resonant angles, such phase relation acts as a NEGATIVE induction component resulting in a logarithmic spiral amplification within wave components such being by a true factor of 1:1.618 energy gain within the 3 phases rotary magnetic field.

## **EASER**

Easer modes are hit at RESONANCE, trafo is exited to easer modes.

Newman, Bedini, MEG, VTA is same stuff same principle EASER Electromagnetic Amplification by secondary emission of radiation (RF) "radiant energy" RF radiation taken from magneto-atomic ambient energy resonant states (transformed) to a charge. All that is needed is to understand its mechanics and improve on it.

L includes CORE ZPE EASER (Delta) parameters core must be pumped to its resonant saturation magnetic potential as to later release this potential completely within magnetic collapse; core size determines wire turns and capacitor values. In motors I found the best performance was from 3 to 7.7 HP motors at lower or higher HP rating effect decay occurred one lacked core the other had excess of core. Same rule applies to trafos were you have and optimal core size I tested to 1MW trafos an optimal voltage UP to 38,000V and optimal resonant current 250A + optimal frequency of 47 to 777 cps.

Any trafo can be converted to OU device if taken to RESONANT or semi-resonant Easer states. Secret is right pulse intensity and length to excite the coil or and core to high energy electron active states and proper capacitor value for this energy to slide in logarithmic curve into a capacitor as a voltage potential. Extraction is quite simply done in its blanking period, non-reflective to source as Easer mode is attained. Temperature goes DOWN as pulse excites the CORE to saturation states, the collapse of the field transfers thermal component (and part of time-space tensor) to energy potential into capacitors. Now you have the secret to ZPE. In a sense it is a "magneto-atomic resonance". Quite interesting to note OU is there all the time and the mechanics to extract them are not really that complicated.

## **COLD FUSION**

Electron depletion ruins the battery (cold fusion electrolyte). Current and voltage must be DC or phased pulse at battery. Also do not exceed 12.7V per battery, it will destroy it in the long run!

Bedini motor and Konzen motor (operated OU until battery went off parameter and detuned to under OU performance ) battery is a variable parameter "C" a big capacitor very critical to tune and not friendly with RF "radiant energy" as natural cold fusion destroys it. I am trying different methods to attain stable looping working with 3 PH transformers, basically method is same as in Dons page, transformer can be autotransformer, bifilar, toroid, homopolar AC (gray tube), the idea is to VECTOR HI CURRENT RF NODE STANDING WAVE into SOURCE supplementing the voltage by a virtual anty-node within same component, the energy transferred from the core ambient energy is awesome... Grey did it, Tesla did it. Why not everyone else?

## **CAPACITORS**

Electrolytic capacitors degrade as contains a WATER boric acid electrolyte. The sonofusion & electrolysis of water molecules destroy such. Recommended capacitors for RF are OIL, milar, film, electret, mica, ceramic, glass and other no water types. Tantalum is NOT recommended as it becomes ATOMICALLY unstable shorting out at ZPE states. Specially, if WATER contamination is present within inner structure (layers), they must be specifically 100% dry and tested as such, must be encapsulated, still hi failure is problematic, so its use is not recommended.

## **SOFT ELECTRON depletion, vitronic energy (why magnets deplete or self-runners radiate visual orgone energy)**

I decided to make it public, maybe the collective minds might be ready to deal with the other problems that come from PM motors this being MAGNET depletion, SOFT ELECTRON PROBLEM, Operator influence energy amplification (PK energy), orgone energy (blue-green) negative,(pink red) positive violet- blue (LIQUID light) "Vrill". Vitron energy.

Vitronic energy results from the decomposition of electrons from its 4 basic components (electron is composed of 4 vitrons), decay is described as photon emission in color regions as previously described and 3 vitrons into soft electron region electron is composed of 4 vitrons forming 3 TRIADS 5ft dimensional construct within particle (electron) as it becomes soft it transfers to 4t dimensional tensor region from 3D state. Its photon emissions regions depend in spin rotation and polarization states as shift occurs. Containing 4 vitrons one exits as photon green or red color depending on shift pattern. As of any phenomena, it carries a lot of hidden dangers, as it can do many good things that we must choose.

When magnets are used in repulsion mode, they deplete, in attraction mode they get stronger!

### **UNDERWATER BULB (in RLC resonant circuit)**

The FILAMENT IS the equivalent of the spark gap in the TESLA RADIANT system, the resistor in E-Gray system is tailored as to this effect. As you can get a proper ampere load to fit in your OPTIMAL LC radiant condition you will be able to put it UNDERWATER as E-GRAY DID IN HIS DEMOS with no BANG or BBBZZZT! to it. And quite well over the 1.618 theoretic figure in OU luminic energy output.

R becomes anty-node were VOLTAGE does not exist, becomes imaginary figure so R becomes imaginary too, its voltage drop being a value of other higher aspect of theoretic calculation not fit to standard. Please see it as RF ANTENNA system. Study node anti-node dynamics and see the RV LRC as RADIO frequency dipole.

Current value must be the same as if bulb were connected to normal power line voltage and current. There you can realize bulb is in CURRENT STANDING WAVE NODE, while the capacitor is in VOLTAGE STANDING WAVE NODE (that is working in radiant energy mode) as RF Radio frequency rules apply.

<http://www.rexresearch.com/evgray/1gray.htm>

### **ECKLIN type generators**

I designed RV for use in MAGNETIC interrupt alternators and Brown-Ecklin design, MI that zip (comment: zip file with plans contains the MODIFICATIONS done by my person to it in 1983 that consisted of eliminating all shades and short circuits made by the BOLTS and ribbets used in ORIGINAL DESIGN, it enhanced performance 50% compared to original model that contained 4 shorts to rotor half moon segments and 16 shorted bolts crossing active cores as energy loss points. Gross engineering mistake. I have a more advance design, but it requires resources not at hand at this moment.

### **LOOPING**

System opens space-time anomaly as time is reversed due to aether energy transform. Do not exceed 10KW, stay low power! Looping (RV) creates space time anomaly intensity proportional to energy extracted by the machine.

### **BIFILAR COILS**

Reason some Researchers use bifilar coils is to recover at higher Q than input limited by input as supply is POWER factor Unity and Radiant states ARE NOT. One is linear the other scalar.

True but conventional INVERTERS do not take vectoring too friendly this energy fry them like lightning, the so called COLD electricity E-Gray talked so much is more like a constant canned EMP the first step is vectoring this energy to a charge value within a capacitor were its JOULE potential exceeds the input by gaining energy from the media, What I do electrically with RV alternator is to spin the rotor squirrel cage (Reverse Inductor) inside a 3PH LC 3 phase oscillator tank circuit were the effect is similar to the effect you can do by stroking a wet finger in a fine grass cup, one wave mounts to the other with the acoustic similar, being magnetic multiplication factor.

Read here about Q figures and signal decay: <http://home.freeuk.net/dunckx/wireless/sparktx/sparktx.html>

AT Q34.6 the decay is .09 of the signal then all you need to sustain a RADIANT energy signal is that .09, in a system that contains multiple elements decay becomes non- reflective upon loading as resonant states are maintained this results in magnetic amplification from the medium, stochastic amplification and thermo-magnetic energy transfer, resulting in APARENT OVERUNITY (in true sense is OVERUNITY due to transform) in

ferroresonance metal cores tend to LASE (laser) but electromagnetically EASER modes a lower power pumping can result in a major transfer from other energy realm.

Keep these notes as in a near future this will be proven as a fact ...free energy and ZPE is nothing more than ENERGY transformation.

RV proves a fact that this power is there and can be compressed in LC circuitry and vectored to higher energy levels than the input, its just a matter of time the mechanics to do this transformation can be done with off the shelf parts, as none of you have money to buy million dollar amplitrans and use calculus to theorize as how to co-phase stochastic resonance and ferroresonance in a matrix or built billion dollars prototypes. I have to look for Spartan primitive similars and create something people can work with. It is quite easier to work with 240/480 voltages than E grays 5,000V resonant pulsers or Teslas 10 million volt coils.

I only ask for all of you to give your findings public and not to keep this covered, RV can be used for electrolysis in tripleflux triple-electrode mode as Transverter plug in Bruce's pages, use it and pass it on. The secret to free energy was given, it is up to you to say its true I did it too, than to try to cash in and die for it, I gave RV to save lives not to end them, but darn! People always find ways to turn things against themselves.... find applications, there are many, until making the toy and playing with it, it just runs itself.

As Tesla said MATCHING THE SOURCE to the NEEDS of the LOAD! KEEP these NOTES!!! Will become invaluable in the future as is predictable you all will need to fight to keep this free and preventing usurpers and thieves appropriating it for them.

**This is PUBLISHED material under COPYRIGHT statutes owned by ALL of you here and ARK Research**, print it all, copy it all to paper & disc media as authorized by **ARK Research** and due credit given, don't let it be patented keep it free! This info has being out since 1980. Help keep it free and enjoy its uses and applications!